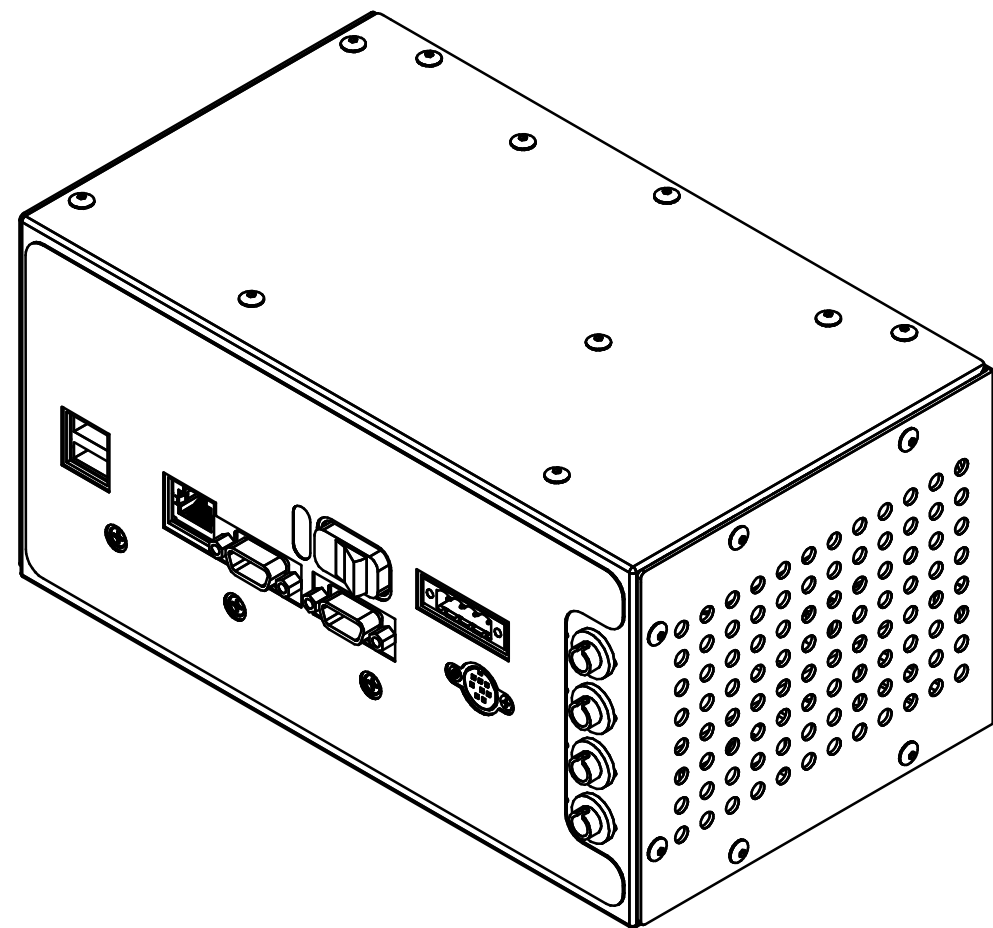
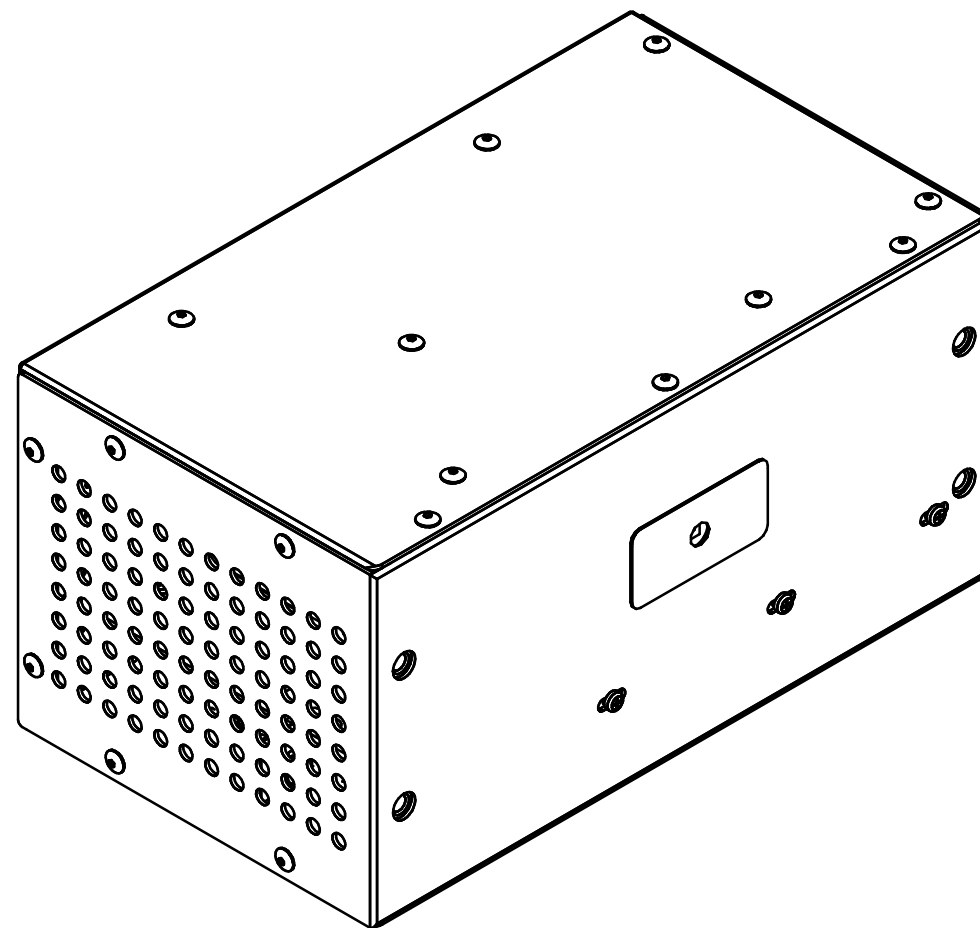



Revision History			
Rev	Date	Author	Description
I	3/9/05	DQS	INITIAL RELEASE
B	4/18/05	DQS	ADDED REAR POWER INPUT
C	5/24/05	DQS	ADDED 19" RACK MOUNT OPTION
2	08/28/08	RWM	UPDATED FOR sm125_V2



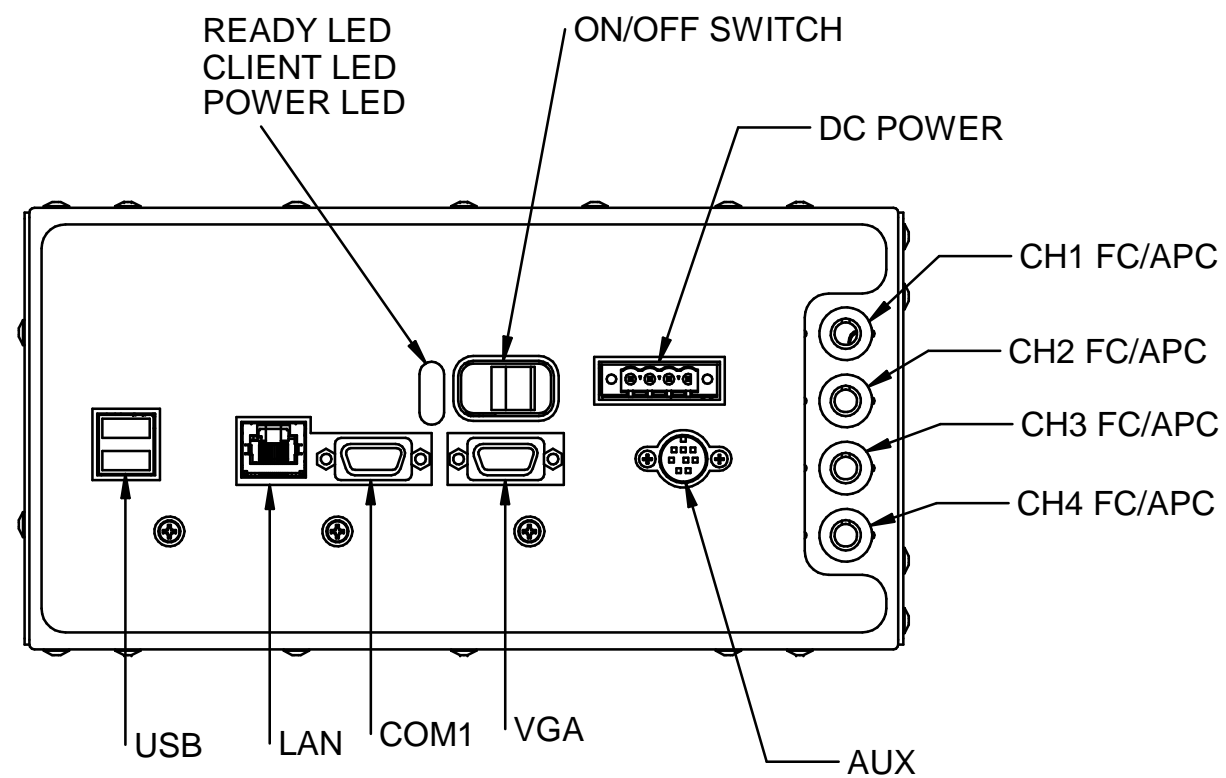
sm125-500 - Front Iso View



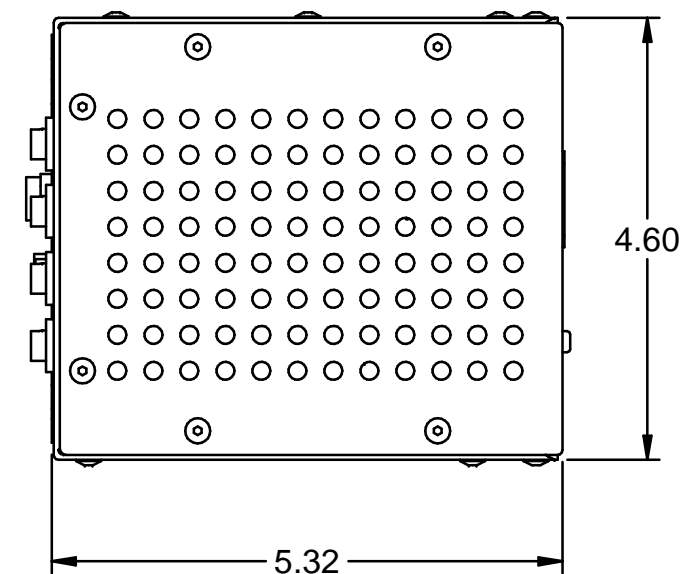
sm125-500 - Rear Iso View

<p>UNLESS OTHERWISE NOTED DIMENSIONS IN INCHES [MM] INTERPRET DRAWINGS PER ANSI Y 14.5M - 1982</p> <p>STANDARD TOLERANCES DECIMAL INCHES X.XX = +/- .030 X.XXX = +/- .010 X.XXXX = +/- .005 ANGLES +/- 2DEG HOLE DIA = +/- .005 HOLE CL = +/- .010 FRAC IN 1 TO 36 = +/- .03 36 UP = +/- .06 MACHINED SURFACES = 125</p>		 <p>MICRON OPTICS, INC.</p>			
<p>THIS DOCUMENT CONTAINS MATERIAL AND/OR INFORMATION WHICH IS THE PROPERTY OF MICRON OPTICS, INC. IT IS SUPPLIED ONLY ON A PROPRIETARY BASIS, AND MUST BE RETURNED UPON REQUEST. DO NOT CIRCULATE, REPRODUCE OR DIVULGE TO OTHER PARTIES WITHOUT WRITTEN CONSENT OF MICRON OPTICS, INC.</p>		<p>DRN BY RWM</p>	<p>DATE</p>	<p>PART NO</p>	<p>REV 2</p>
<p>CHKD BY</p>	<p>SIZE B</p>	<p>RELEASE NO. XXXXXXX</p>	<p>SHEET NO. 1 OF 5</p>		

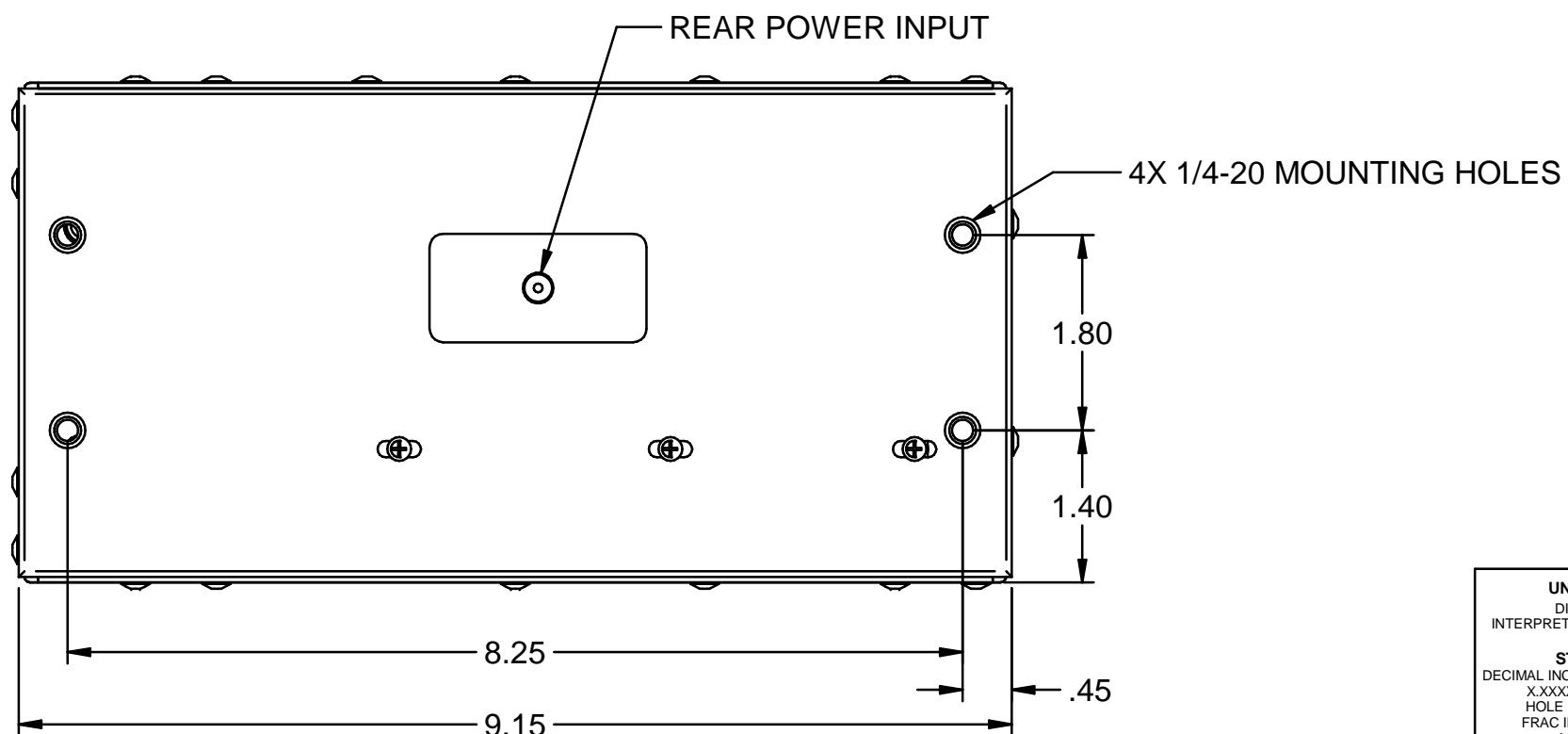
Revision History			
Rev	Date	Author	Description
I	3/9/05	DQS	INITIAL RELEASE
B	4/18/05	DQS	ADDED REAR POWER INPUT
C	5/24/05	DQS	ADDED 19" RACK MOUNT OPTION
2	08/28/08	RWM	UPDATED FOR smI25_V2




smI25-500 Front View



smI25-500 Side View



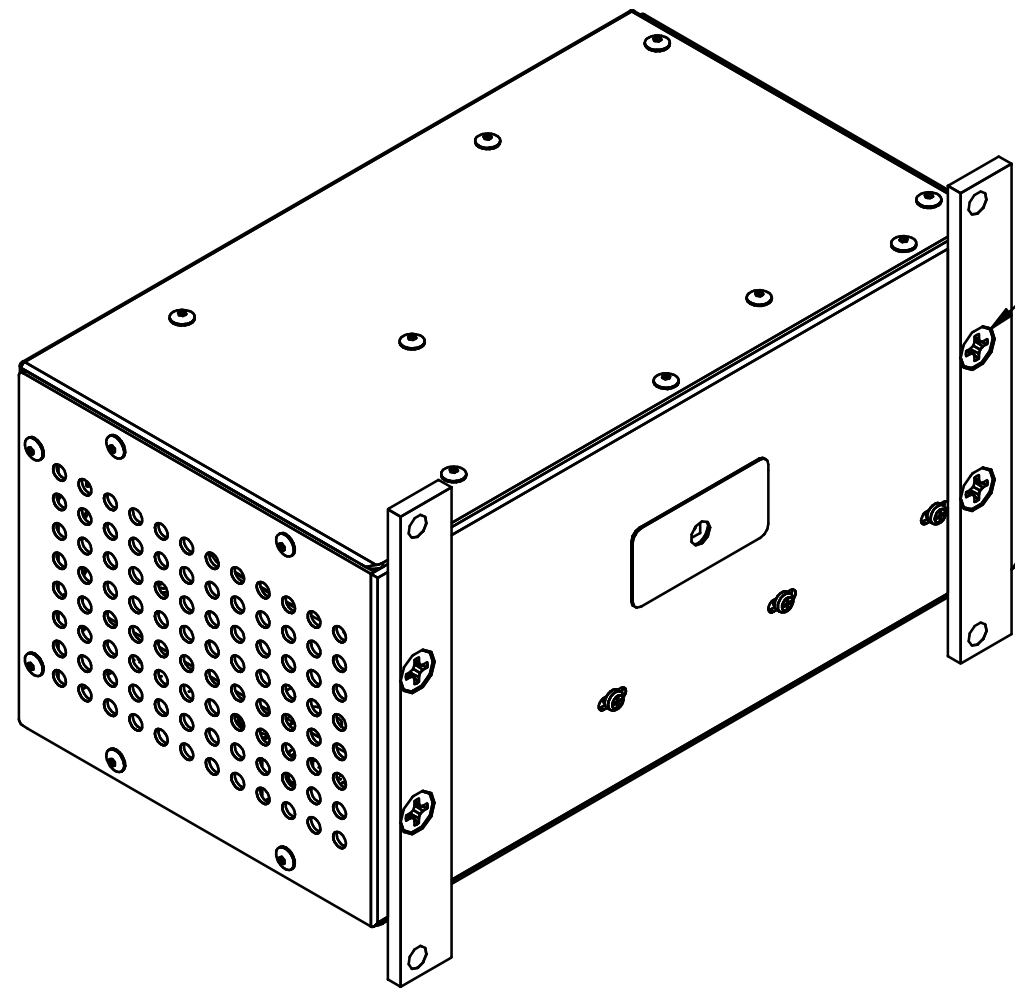
smI25-500 Rear View

<p>UNLESS OTHERWISE NOTED DIMENSIONS IN INCHES [MM] INTERPRET DRAWINGS PER ANSI Y 14.5M - 1982</p> <p>STANDARD TOLERANCES DECIMAL INCHES X.XX = +/- .030 X.XXX = +/- .010 X.XXXX = +/- .005 ANGLES +/- 2DEG HOLE DIA = +/- .005 HOLE CL = +/- .010 FRAC IN 1 TO 36 = +/- .03 36 UP = +/- .06 MACHINED SURFACES = 125</p>		 <p>MICRON OPTICS, INC.</p>	
<p>THIS DOCUMENT CONTAINS MATERIAL AND/OR INFORMATION WHICH IS THE PROPERTY OF MICRON OPTICS, INC. IT IS SUPPLIED ONLY ON A PROPRIETARY BASIS, AND MUST BE RETURNED UPON REQUEST. DO NOT CIRCULATE, REPRODUCE OR DIVULGE TO OTHER PARTIES WITHOUT WRITTEN CONSENT OF MICRON OPTICS, INC.</p>		<p>smI25 LABEL AND DIMENSIONAL DATA</p>	
DRN BY RWM	DATE	PART NO.	REV 2
CHKD BY	SIZE B	RELEASE NO. XXXXXXX	SHEET NO. 2 OF 5

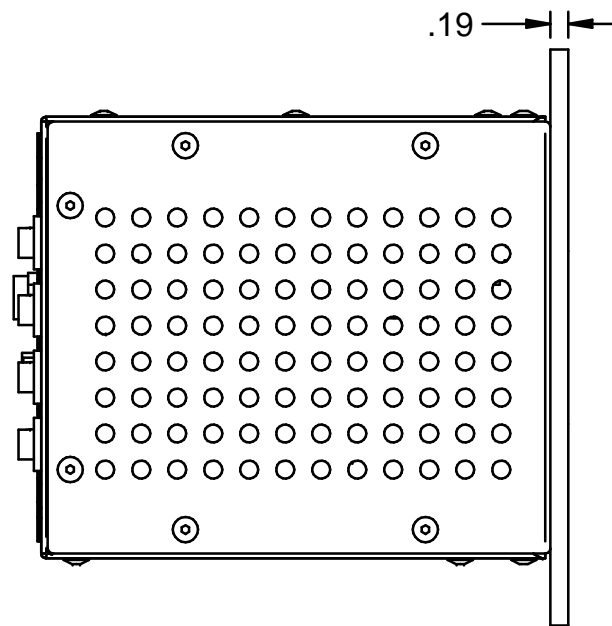
Revision History			
Rev	Date	Author	Description
I	3/9/05	DQS	INITIAL RELEASE
B	4/18/05	DQS	ADDED REAR POWER INPUT
C	5/24/05	DQS	ADDED 19" RACK MOUNT OPTION
2	08/28/08	RWM	UPDATED FOR smI25_V2

P/N 221849, 1/4-20 X 1/2" PHILLIPS FLAT HEAD SCREW, 4X

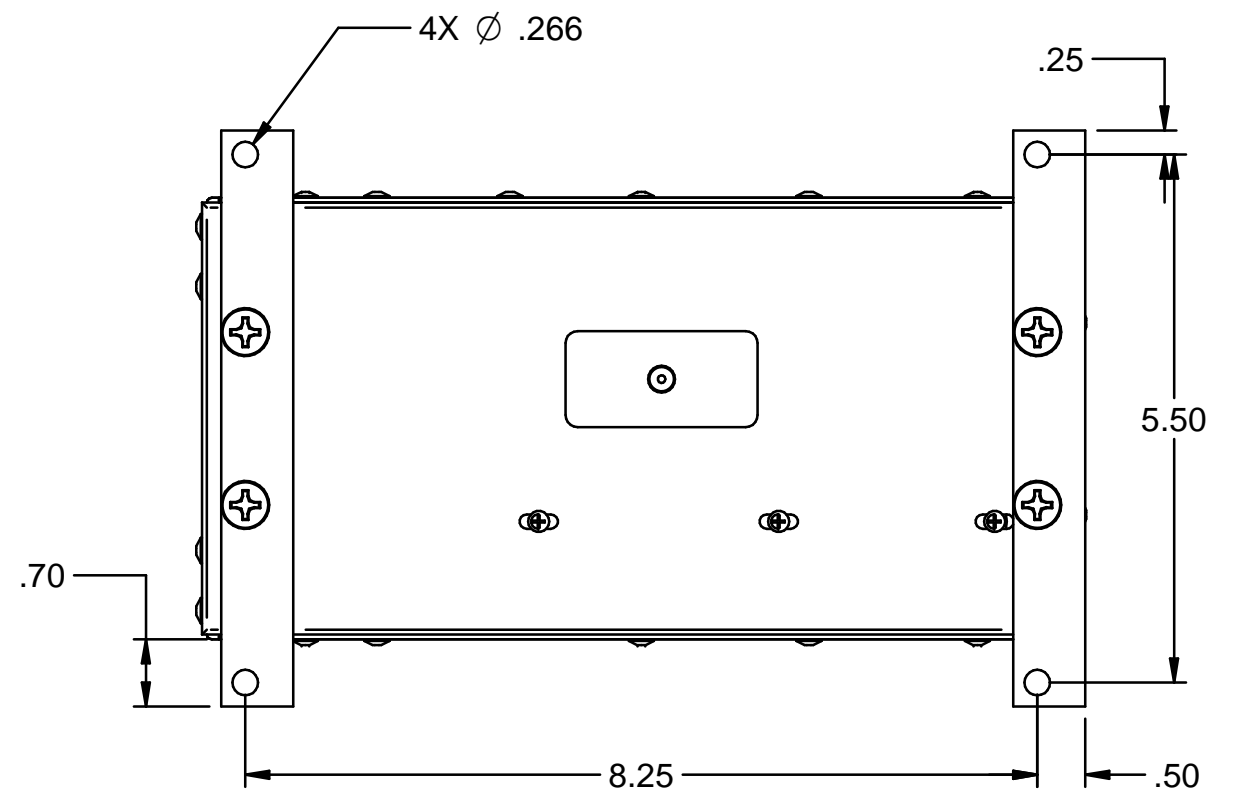
P/N 221394, FLAT MOUNTING BRACKET, 2X




smI25-500 w/Optional Wall Mounting Brackets - Rear Iso View



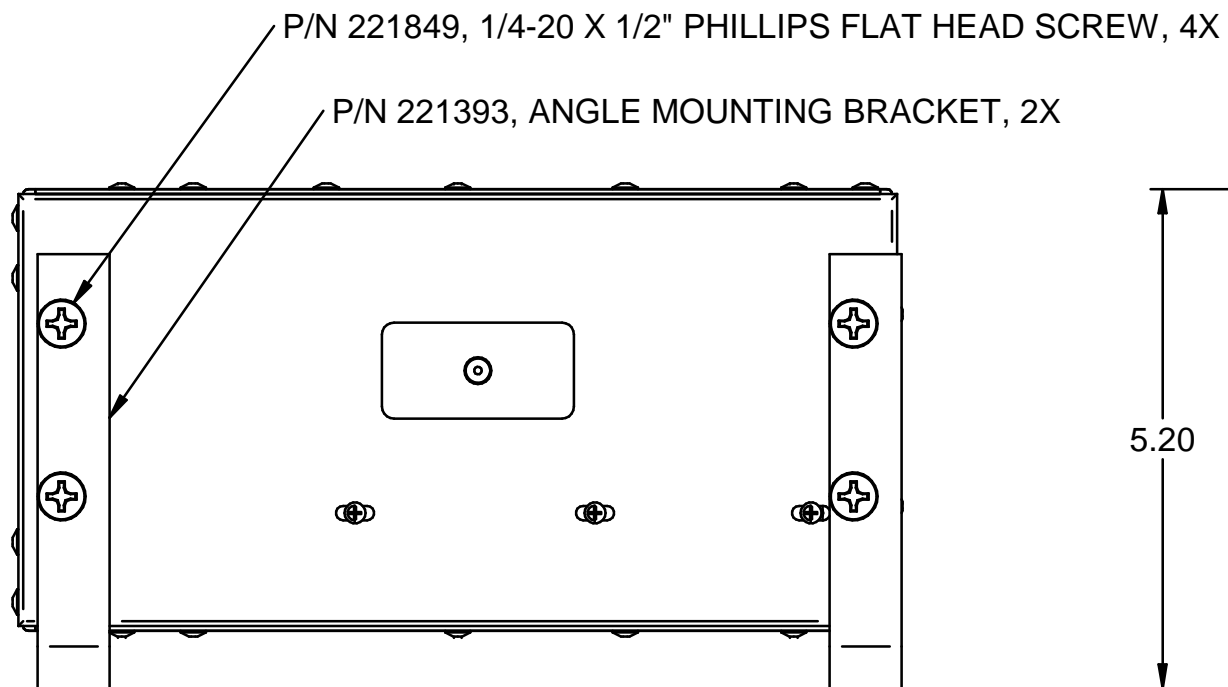
smI25-500 w/Optional Wall Mounting Brackets - Side View



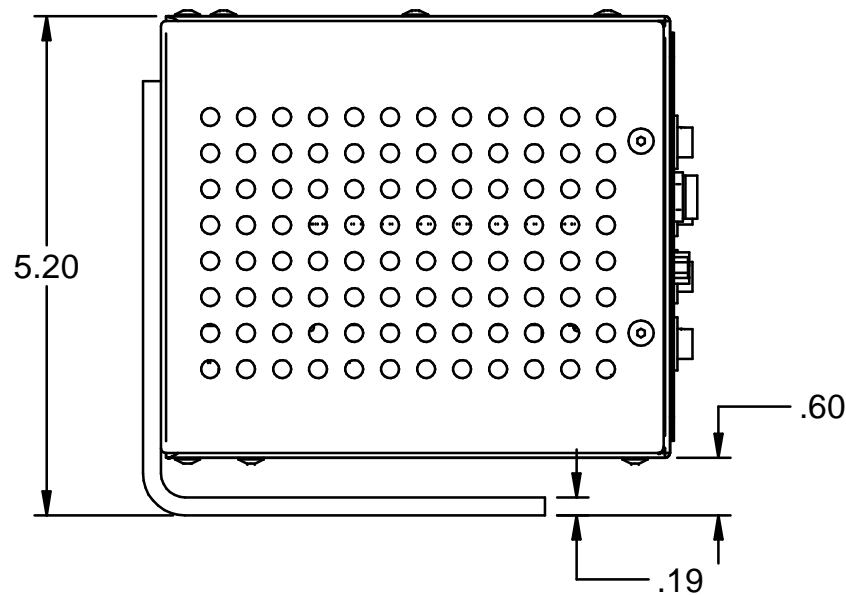
smI25-500 w/Optional Wall Mounting Brackets - Rear View

<p>UNLESS OTHERWISE NOTED DIMENSIONS IN INCHES [MM] INTERPRET DRAWINGS PER ANSI Y 14.5M - 1982</p> <p>STANDARD TOLERANCES DECIMAL INCHES X.XX = +/- .030 X.XXX = +/- .010 X.XXXX = +/- .005 ANGLES +/- 2DEG HOLE DIA = +/- .005 HOLE CL = +/- .010 FRAC IN 1 TO 36 = +/- .03 36 UP = +/- .06 MACHINED SURFACES = 125</p>		 <p>MICRON OPTICS, INC.</p>			
<p>THIS DOCUMENT CONTAINS MATERIAL AND/OR INFORMATION WHICH IS THE PROPERTY OF MICRON OPTICS, INC. IT IS SUPPLIED ONLY ON A PROPRIETARY BASIS, AND MUST BE RETURNED UPON REQUEST. DO NOT CIRCULATE, REPRODUCE OR DIVULGE TO OTHER PARTIES WITHOUT WRITTEN CONSENT OF MICRON OPTICS, INC.</p>		<p>DRN BY RWM</p>	<p>DATE</p>	<p>PART NO</p>	<p>REV 2</p>
<p>smI25 WITH OPTIONAL WALL MOUNT BRACKETS</p>		<p>CHKD BY B</p>	<p>RELEASE NO. XXXXXXX</p>	<p>SHEET NO. 3 OF 5</p>	

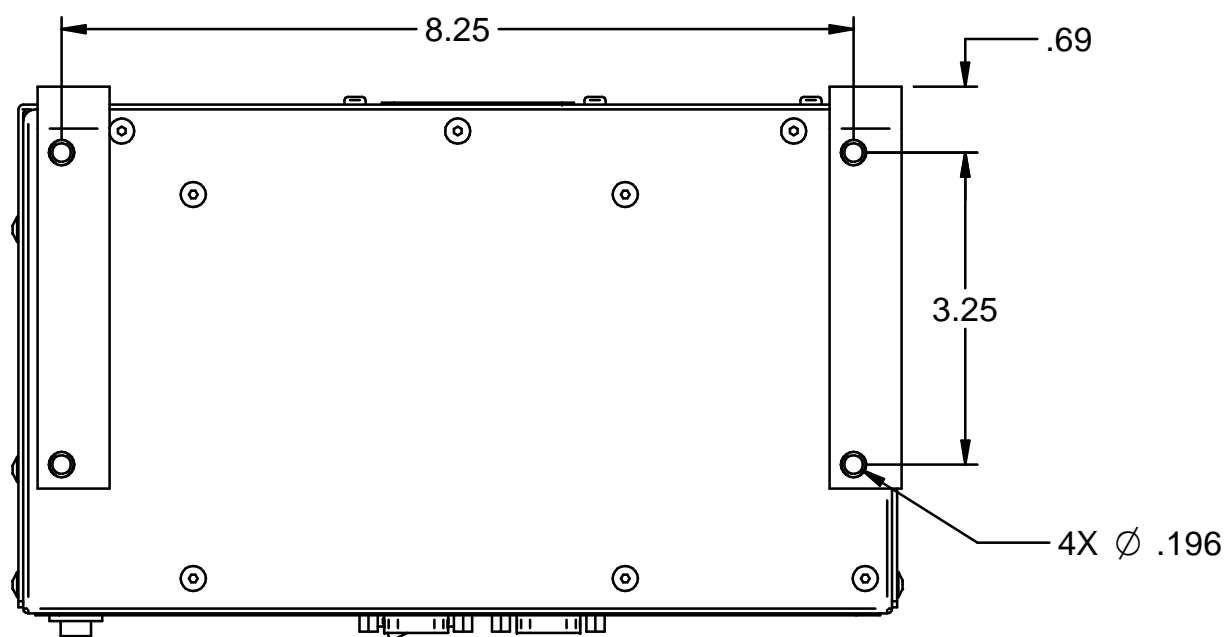
Revision History			
Rev	Date	Author	Description
I	3/9/05	DQS	INITIAL RELEASE
B	4/18/05	DQS	ADDED REAR POWER INPUT
C	5/24/05	DQS	ADDED 19" RACK MOUNT OPTION
2	08/28/08	RWM	UPDATED FOR smI25_V2



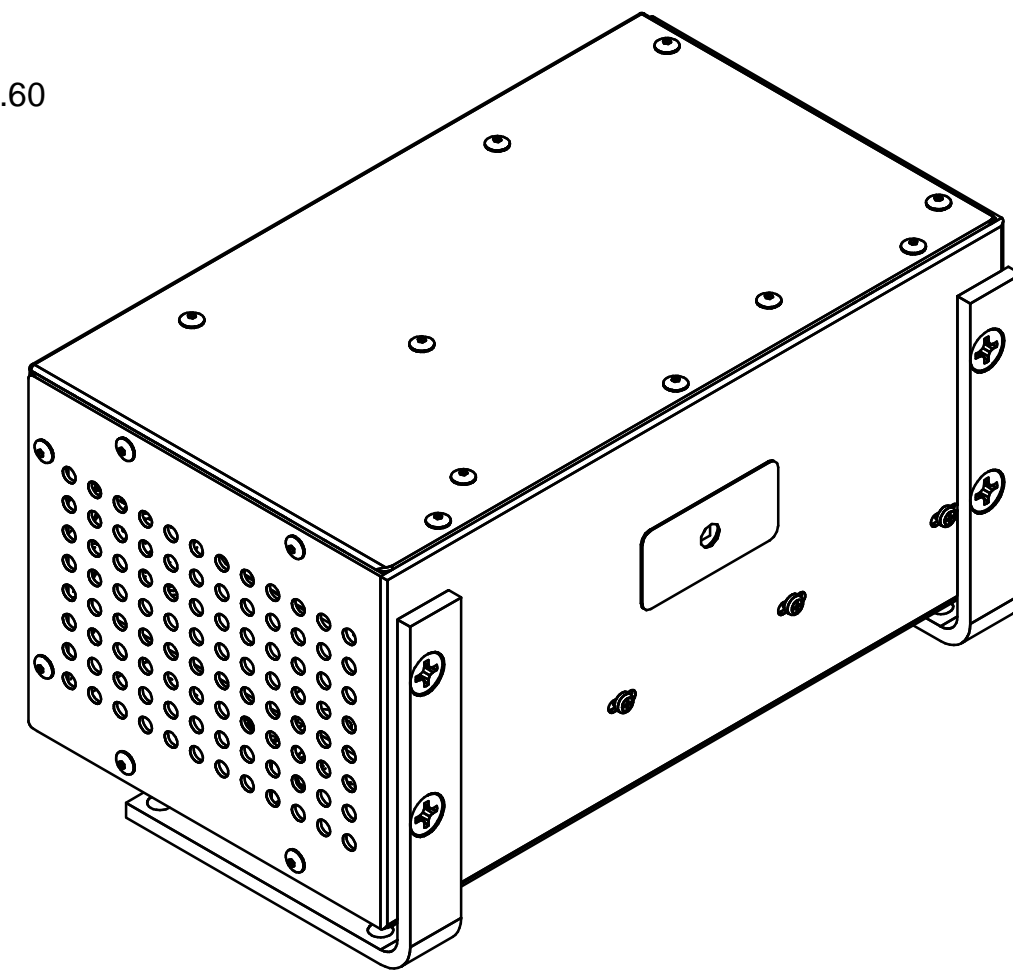
smI25-500 w/Optional Bench Mounting Brackets
Rear View




smI25-500 w/Optional Bench Mounting Brackets
Side View



smI25-500 w/Optional Bench Mounting Brackets
Bottom View

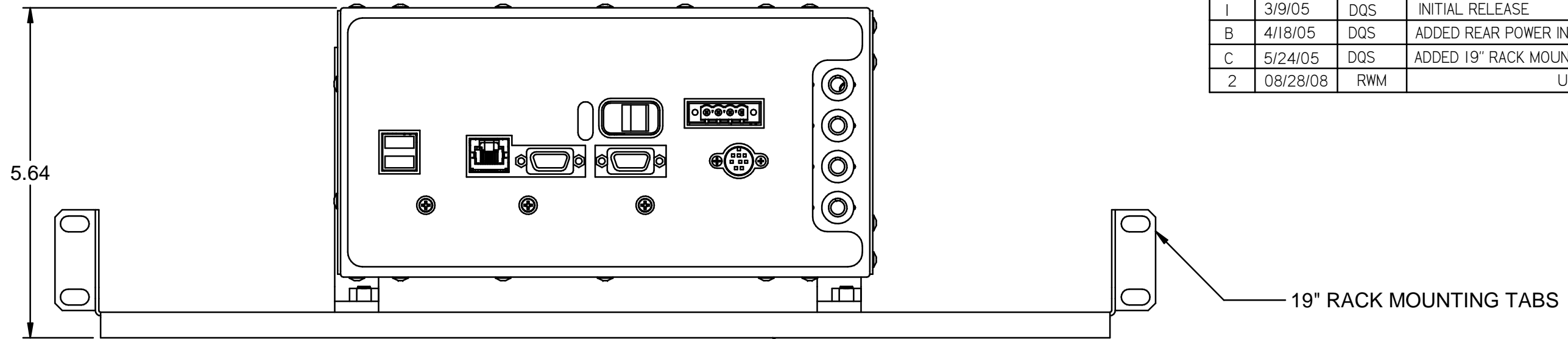


smI25-500 w/Optional Bench Mounting Brackets
Rear Iso View

<p>UNLESS OTHERWISE NOTED DIMENSIONS IN INCHES [MM] INTERPRET DRAWINGS PER ANSI Y 14.5M - 1982</p> <p>STANDARD TOLERANCES DECIMAL INCHES X.XX = +/- .030 X.XXX = +/- .010 X.XXXX = +/- .005 ANGLES +/- 2DEG HOLE DIA = +/- .005 HOLE CL = +/- .010 FRAC IN 1 TO 36 = +/- .03 36 UP = +/- .06 MACHINED SURFACES = 125</p>		 <p>MICRON OPTICS, INC.</p>			
<p>THIS DOCUMENT CONTAINS MATERIAL AND/OR INFORMATION WHICH IS THE PROPERTY OF MICRON OPTICS, INC. IT IS SUPPLIED ONLY ON A PROPRIETARY BASIS, AND MUST BE RETURNED UPON REQUEST. DO NOT CIRCULATE, REPRODUCE OR DIVULGE TO OTHER PARTIES WITHOUT WRITTEN CONSENT OF MICRON OPTICS, INC.</p>		<p>DRN BY RWM</p>	<p>DATE</p>	<p>PART NO</p>	<p>REV 2</p>
<p>smI25 WITH OPTIONAL BENCH MOUNTING BRACKETS</p>		<p>CHKD BY B</p>	<p>RELEASE NO. XXXXXXX</p>	<p>SHEET NO. 4 OF 5</p>	

Revision History

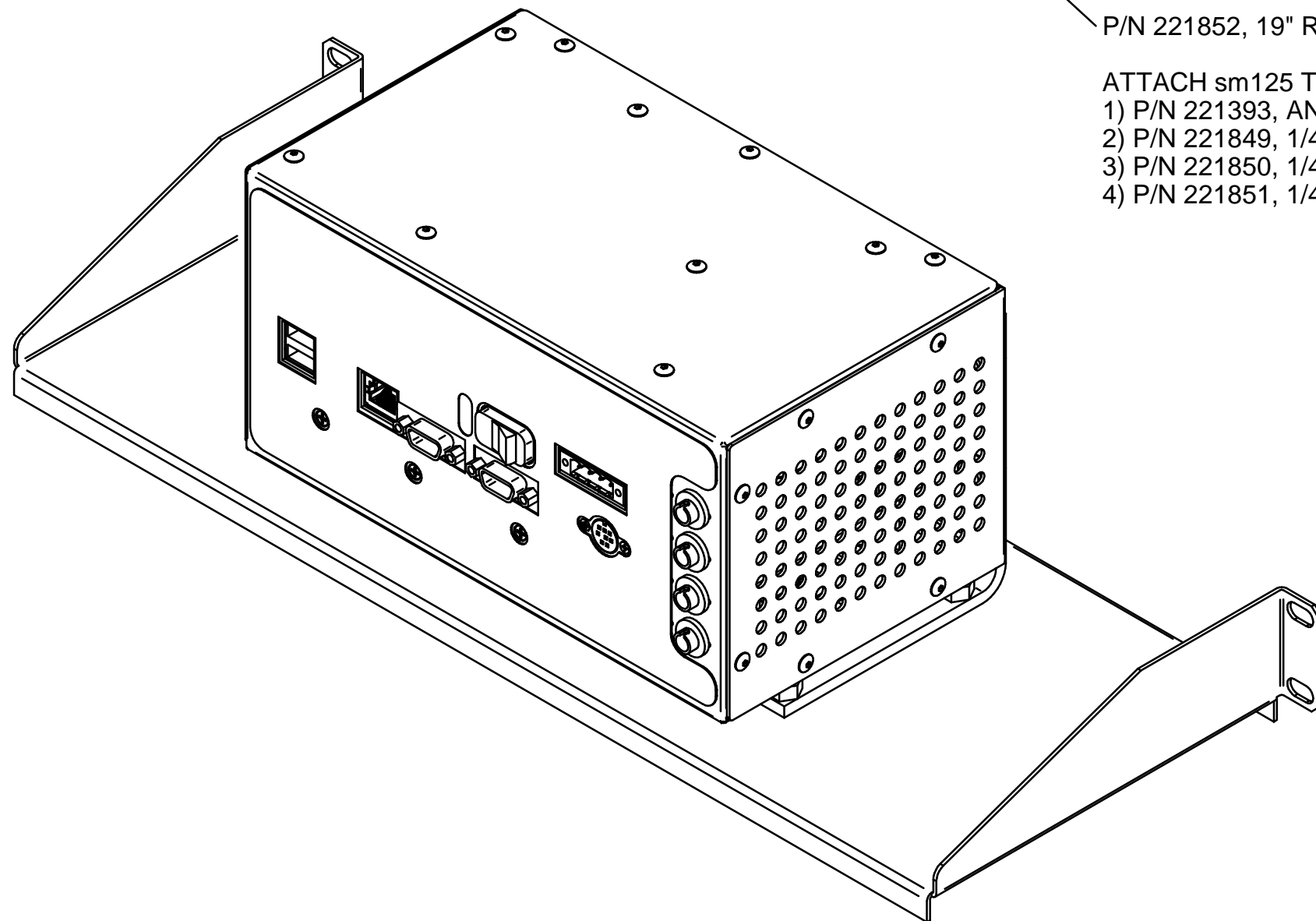
Rev	Date	Author	Description
I	3/9/05	DQS	INITIAL RELEASE
B	4/18/05	DQS	ADDED REAR POWER INPUT
C	5/24/05	DQS	ADDED 19" RACK MOUNT OPTION
2	08/28/08	RWM	UPDATED FOR sm125_V2




P/N 221852, 19" RACK MOUNT SHELF

ATTACH sm125 TO SHELF USING -

- 1) P/N 221393, ANGLE MOUNTING BRACKET, 2X
- 2) P/N 221849, 1/4-20 X 1/2" PHILLIPS FLAT HEAD SCREW, 4X
- 3) P/N 221850, 1/4-20 X 1/2" BUTTON HEAD SCREW, 4X
- 4) P/N 221851, 1/4-20 NUT, 4X



<p>UNLESS OTHERWISE NOTED DIMENSIONS IN INCHES [MM] INTERPRET DRAWINGS PER ANSI Y 14.5M - 1982</p>		 <p>MICRON OPTICS, INC.</p>			
<p>STANDARD TOLERANCES DECIMAL INCHES X.XX = +/- .030 X.XXX = +/- .010 X.XXXX = +/- .005 ANGLES +/- 2DEG HOLE DIA = +/- .005 HOLE CL = +/- .010 FRAC IN 1 TO 36 = +/- .03 36 UP = +/- .06 MACHINED SURFACES = 125</p>		<p>sm125 with OPTIONAL 19" RACK MOUNT</p>			
<p>THIS DOCUMENT CONTAINS MATERIAL AND/OR INFORMATION WHICH IS THE PROPERTY OF MICRON OPTICS, INC. IT IS SUPPLIED ONLY ON A PROPRIETARY BASIS, AND MUST BE RETURNED UPON REQUEST. DO NOT CIRCULATE, REPRODUCE OR DIVULGE TO OTHER PARTIES WITHOUT WRITTEN CONSENT OF MICRON OPTICS, INC.</p>		<p>DRN BY RWM</p>	<p>DATE</p>	<p>PART NO</p>	<p>REV 2</p>
<p>CHKD BY</p>	<p>SIZE B</p>	<p>RELEASE NO. XXXXXXX</p>	<p>SHEET NO. 5 OF 5</p>		